



bebionic  
System Components

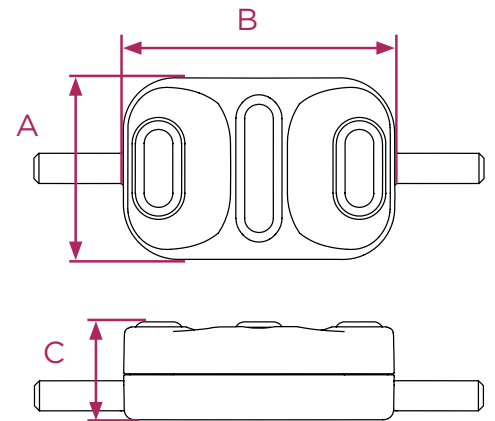
 **steeper**  
Creating life's turning points, together

## Electrodes 50Hz and 60Hz

Steeper's state-of-the-art electronics available for both child and adult arm systems, offering outstanding capture and amplification from signals as low as 10uV.

### Features

- Fine control of the terminal device enabled through proportional output and in-built gain adjustment
- Bio-compatible titanium skin contacts to ensure superior conductivity
- Two options for interference protection to shield from common power sources and high frequency devices (applicable to countries with 50Hz or 60Hz mains power supply)
- Kits to include field replaceable spare legs and two fabrication kits
- Suitable for laminate or thermoplastic sockets



#### Technical Information - ELEC50 / ELEC60

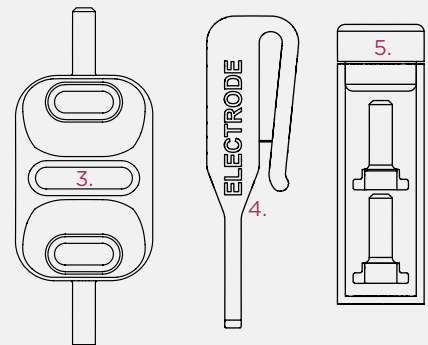
A - Electrode Width	18mm (11/16")
B - Electrode Length	27mm (11/16")
C - Electrode Height	10mm (3/8")
Weight	4.4g (1/10 oz)
Temperature range	-15°C to 60°C (5°F to 140°F)
Max Humidity	95%
Max Atmospheric Pressure	104Pa
Power supply	5V to 16V*
Bandwidth	90-450Hz

#### Ordering Information

Part Number	Description
ELEC50	Electrode 50Hz
ELEC60	Electrode 60Hz

To order electrode cables use part number ECA=300, ECA=600 or ECA=1000 depending on cable length required.

#### In the box



1. Vacuum Kit
2. Lamination Kit
3. Electrode (ELEC50 or ELEC60)
4. Adjustment Tool
5. Spare Suspension Legs
6. User Guide Card
7. Technical Information

## Electrode Seal-In Kit

Designed for use with high performance ELEC50/ELEC60, the Steeper Seal-In kit.

### Features

- **Outstanding vacuum retention in suction sockets**  
Steeper's mounting method stabilises the electrode within the inner socket and creates a sealing gasket to maintain an airtight seal, allowing practical applications in suction sockets and maintenance of fit
- **Prevention of moisture ingress into prosthesis**  
Through the airtight seal, this prevention reduces the risk of damage to components housed within the prosthesis
- **Available in 50Hz or 60Hz**
- **Suction kit**  
Available separately, this kit consists of mounting and sealing components only. Enables the upgrading of non-suction mounted electrodes and provides easy access to parts for maintenance and socket replacement
- **Suitable for laminated, thermoplastic or silicone socket**



### Technical Information - Seal-in Kit

Dimensions (LxWxH)	35x27x10 mm
Weight	<1g
Compatible With	ELEC50 / ELEC60

### Ordering Information

Part Number	Description	Consists of
ELSK50	Seal-In Electrode 50Hz	ELEC50 + Seal-In Kit (ELSK)
ELSK60	Seal-In Electrode 60Hz	ELEC60 + Seal-In Kit (ELSK)
ELSK	Seal-In Kit	Mounting Kit for Upgrade/spares

Fully compatible with existing electrode cables  
ELEC300/600/1000

### In the box

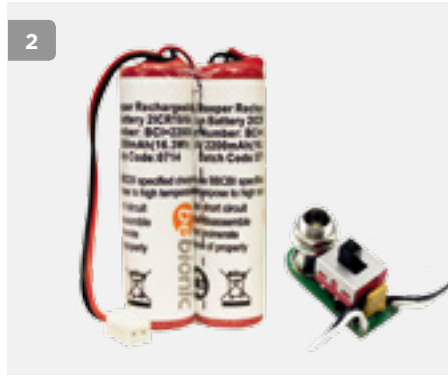
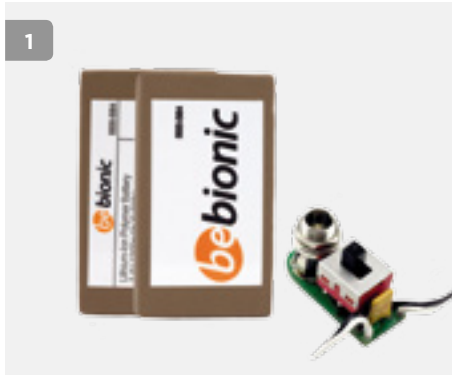


1. ELSK gasket
2. Rolled silicone socket blank
3. Gasket retainer
4. Outer socket dummy
5. Thermoplastic inner socket blank

## Batteries and Cables

Steeper battery options include a 7.4V 1300mAh split cell battery, or a 7.4V 2200mAh split or single cell battery. Both battery types are available for all bebionic hands and wrist options.

Electrode cables available in 3 lengths for compatibility with ELEC50 and ELEC60 electrodes. Connector block cables also available for use with previous battery versions.

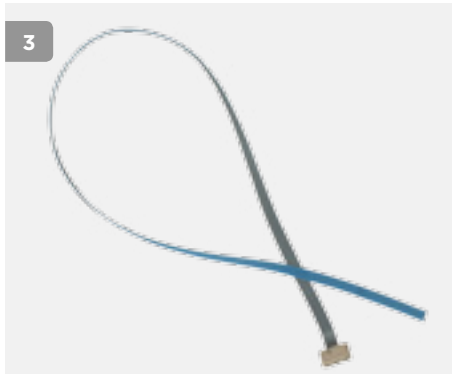


### Battery Options

Part Number	Capacity	Nominal Voltage	Size
1 BBI=1300S	1300mAh	7.4V	8.6 x 36.5 x 66.5 mm (x2) (3/4" x 1 3/8" x 2 5/8")
2 BBI=2200S	2200mAh	7.4V	18.5 x 18.5 x 70 mm (x2) (3/4" x 3/4" x 2 3/4")

### Battery Switch

Part Number	Description
3 B27804	On / Off Switch and Charge Port



### Electrode Cables

To allow connection between ELEC50 / ELEC60 Electrode and Quick Disconnect Wrist connection or Connector Block Cable. 3-Pin termination to cable.

Part Number	Description	Length
3 ECA=300	Electrode Cable	300mm (11 3/4")
ECA=600	Electrode Cable	600mm (23 5/8")
ECA=1000	Electrode Cable	1000mm (39 3/8")
3a B24570	4-Pin Round Elbow Cable - Pink	525mm (20 5/8")
B24580	4-Pin Round Elbow Cable - Brown	525mm (20 5/8")
3b CBBHA72	Connector Block Cable for Lithium Polymer Battery Receptacle BHA72	265mm (10 7/16")

Unit 7  
Hunslet Trading Estate  
Severn Road  
LEEDS  
LS10 1BL

Tel: +44 (0) 870 240 4133  
Email: [customerservices@steepergroup.com](mailto:customerservices@steepergroup.com)

[www.steepergroup.com](http://www.steepergroup.com)

RSLIT389 Issue 1 2015

